



Pallet Stacker

L14 – L16 AS, L14 – L16 AS AP

Capacity 1.4 t–1.6 t | Series 1173

Maneuverable all-rounder

- ISO forks and adjustable straddle legs for handling closed pallets and load carriers with different widths
- Truck without platform suitable for narrow aisles in high rack and block warehouses
- Version with folding platform for comfort when transporting goods over long distances
- Maintenance-free 2.3 kW AC engine for minimal repair costs
- Top speeds of up to 10 km/h (for foldable platform version) for fast transportation of loads
- Power steering for effortless, precise maneuvers

TECHNICAL DATA (According to VDI 2198)

	1.1	Manufacturer	Linde	Linde	Linde	Linde	Linde	Linde
Characteristics	1.2	Model	L14 AS	L16 AS	L14 AS AP	L16 AS AP	L14 AS AP	L16 AS AP
	1.2.a	Series	1173	1173	1173	1173	1173	1173
	1.3.	Power Unit	Battery	Battery	Battery	Battery	Battery	Battery
	1.4	Operation	Pedestrian	Pedestrian	Stand on	Stand on	Stand on	Stand on
	1.5	Load capacity/Load	Q (kg)	1400	1600	1400	1600	1600
	1.6	Load centre distance	c (mm)	600	600	600	600	600
	1.8	Axle centre to fork face	x (mm)	709	709	709	709	709
	1.9	Wheelbase	y (mm)	1406 ¹⁾	1406 ¹⁾	1406 ¹⁾	1406 ¹⁾	1406 ¹⁾
	Weights	2.1	Service weight (± 10 %)	(kg)	1620 ^{3) 4)}	1620 ^{3) 4)}	1495 ^{3) 4)}	1495 ^{3) 4)}
2.2		Axle load with load, front/rear (± 10 %)	(kg)	1189/1831 ^{2) 4)}	1204/2016 ^{2) 4)}	1119/1776 ^{2) 4)}	1134/1961 ^{2) 4)}	1134/1961 ^{2) 4)}
2.3		Axle load without load, front/rear (± 10 %)	(kg)	1080/540 ^{2) 4)}	1080/540 ^{2) 4)}	1010/485 ^{2) 4)}	1010/485 ^{2) 4)}	1010/485 ^{2) 4)}
Wheels/Tyres	3.1	Tyres rubber, SE, pneumatic, polyurethane		Rubber/Polyurethane	Rubber/Polyurethane	Rubber/Polyurethane	Rubber/Polyurethane	Rubber/Polyurethane
	3.2	Tyre size, front		Ø 254 × 100	Ø 254 × 100	Ø 254 × 100	Ø 254 × 100	Ø 254 × 100
	3.3	Tyre size, rear		Ø 85 × 85	Ø 85 × 85	Ø 85 × 85	Ø 85 × 85	Ø 85 × 85
	3.4	Auxiliary wheels (dimensions)		Ø 100 × 40 (× 2)	Ø 100 × 40 (× 2)	Ø 100 × 40 (× 2)	Ø 100 × 40 (× 2)	Ø 100 × 40 (× 2)
	3.5	Wheels, number front/rear (x = driven)		1x 0/2	1x 0/2	1x 0/2	1x 0/2	1x 0/2
	3.6	Track width, front (± 5 mm)	b10 (mm)	534	534	534	534	534
	3.7	Track width, rear (± 5 mm)	b11 (mm)	1000/1200/1400	1000/1200/1400	1000/1200/1400	1000/1200/1400	1000/1200/1400
Dimensions	4.2	Height of mast, lowered	h1 (mm)	1990 ^{4) 5)}	1990 ^{4) 5)}	1990 ^{4) 5)}	1990 ^{4) 5)}	1990 ^{4) 5)}
	4.3	Free lift	h2 (mm)	150 ^{4) 5)}	150 ^{4) 5)}	150 ^{4) 5)}	150 ^{4) 5)}	150 ^{4) 5)}
	4.4	Lift	h3 (mm)	2924/2844 ^{4) 5)}	2924/2844 ^{4) 5)}	2924/2844 ^{4) 5)}	2924/2844 ^{4) 5)}	2924/2844 ^{4) 5)}
	4.5	Height of mast, extended	h4 (mm)	3460/3380 ^{4) 5)}	3460/3380 ^{4) 5)}	3460/3380 ^{4) 5)}	3460/3380 ^{4) 5)}	3460/3380 ^{4) 5)}
	4.8	Height of the driving platform in low position	h7 (mm)			160	160	160
	4.9	Height of tiller arm in operating position, min/max	h14 (mm)	1103/1287	1103/1287	1103/1287	1103/1287	1103/1287
	4.15	Height, lowered	h13 (mm)	46	46	46	46	46
	4.19	Overall length	l1 (mm)	2501 ¹⁾	2501 ¹⁾	2664 ¹⁾	2664 ¹⁾	2664 ¹⁾
	4.20	Length to fork face	l2 (mm)	870 ¹⁾	870 ¹⁾	1306 ¹⁾	1306 ¹⁾	1306 ¹⁾
	4.21	Overall width	b1/b2 (mm)	810/1170/1370/1570	810/1170/1370/1570	810/1170/1370/1570	810/1170/1370/1570	810/1170/1370/1570
	4.22	Fork dimensions DIN ISO 2331	s/e/1 (mm)	40/80/1150	40/80/1150	40/80/1150	40/80/1150	40/80/1150
	4.23	Fork carriage, DIN 1573 class A or B		ISO 2B	ISO 2B	ISO 2B	ISO 2B	ISO 2B
	4.24	Width of fork carriage	b3 (mm)	800	800	1100	1100	1100
	4.25	Fork spread	b5 (mm)	-	-	-	-	-
	4.26	Straddle legs spread (from inside), min/max	b4 (mm)	860/1060/1260	860/1060/1260	860/1060/1260	860/1060/1260	860/1060/1260
4.31	Ground clearance, under the mast	m1 (mm)	-	-	-	-	-	
4.32	Ground clearance, centre of wheelbase	m2 (mm)	30	30	30	30	30	
4.34.1	Aisle width for pallets 1000 × 1200 crossways	Ast (mm)	2608 ¹⁾	2608 ¹⁾	2599 (2972) ^{1) 8)}	2599 (2972) ^{1) 8)}	2599 (2972) ^{1) 8)}	
4.34.2	Aisle width with pallet 800 × 1200 along forks	Ast (mm)	2574 ¹⁾	2574 ¹⁾	2565 (2938) ^{1) 8)}	2565 (2938) ^{1) 8)}	2565 (2938) ^{1) 8)}	
4.35	Turning radius	Wa (mm)	1741 ¹⁾	1741 ¹⁾	2105/1732 ^{1) 8)}	2105/1732 ^{1) 8)}	2105/1732 ^{1) 8)}	
Performance	5.1	Travel speed, with/without load (± 5 %)	(km/h)	6/6	6/6	8/10 ⁷⁾	8/10 ⁷⁾	8/10 ⁷⁾
	5.2	Lifting speed, with/without load (± 10 %)	(m/s)	0.16/0.30	0.16/0.30	0.16/0.30	0.16/0.30	0.16/0.30
	5.3	Lowering speed, with/without load (± 10 %)	(m/s)	0.40/0.35	0.40/0.35	0.40/0.35	0.40/0.35	0.40/0.35
	5.8	Maximum climbing ability, with/without load	(%)	-	-	-	-	-
	5.9	Acceleration time, with/without load	(s)	9/10	9/10	9/10	9/10	9/10
	5.10	Service brake		Electro-magnetic	Electro-magnetic	Electro-magnetic	Electro-magnetic	Electro-magnetic
Drive	6.1	Drive motor rating S2 60 min	(kW)	1.5	1.5	2.3	2.3	2.3
	6.2	Lift motor rating at S3 15 %	(kW)	3.2	3.2	3.2	3.2	3.2
	6.3	Battery according to DIN 43531/35/36 A, B, C, no		3 PzS-SV	3 PzS-SV	3 PzS-SV	3 PzS-SV	3 PzS-SV
	6.4	Battery voltage/rated capacity (5 h)	(V/Ah)	24/375	24/375	24/375	24/375	24/375
	6.5	Battery weight (± 10 %)	(kg)	272/315	272/315	272/315	272/315	272/315
	6.6	Power consumption according to VDI cycle	(kWh/h)	1.47	1.47	1.47	1.47	1.47
Others	8.1	Type of drive unit		LAC	LAC	LAC	LAC	LAC
	10.7	Sound pressure level LpAZ (at the driver's seat)	(dB(A))	< 70	< 70	< 70	< 70	< 70

1) With Chassis 3 PzS

2) Weight according to ligne 2.1

3) With Battery ligne 6.5

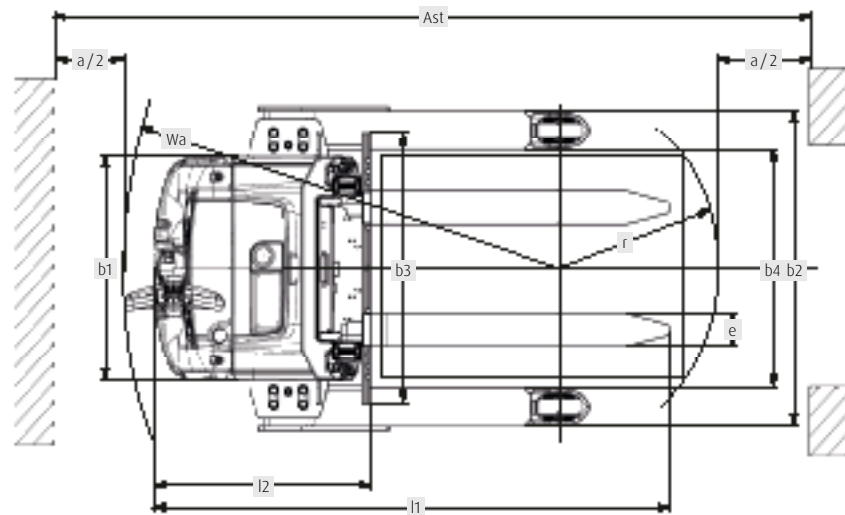
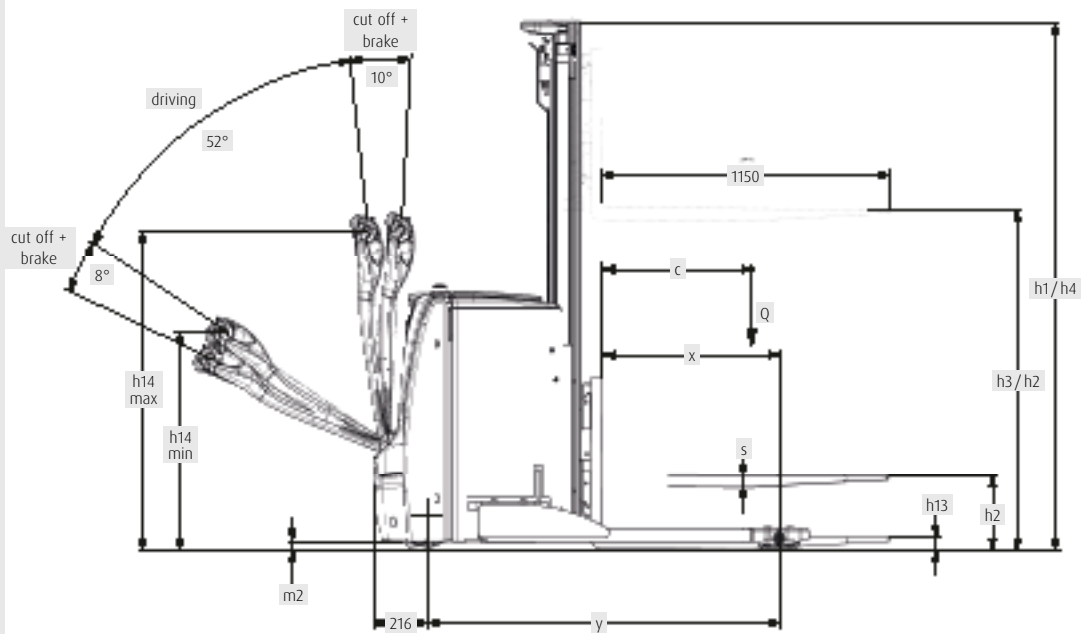
4) Mast 2844S for L16 AS/other masts: see table

5) Mast 2924S for L14 AS/Other masts: see table

6) Value for L16 AS

7) Limitation to 6 km/h with load higher than or equal to 1.8 m

8) Closed platform



MAST TABLES

STANDARD MAST (in mm)

Lift	h3: 1924	h3: 2424	h3: 2924	h3: 3324	h3: 3824	h3: 4224	h3: 4724
Height measurements	h1: 1490 h2: 150 h3+h13: 1970 h4: 2503	h1: 1740 h2: 150 h3+h13: 2470 h4: 3003	h1: 1990 h2: 150 h3+h13: 2970 h4: 3503	h1: 2190 h2: 150 h3+h13: 3370 h4: 3903	h1: 2440 h2: 150 h3+h13: 3870 h4: 4403	h1: 2640 h2: 150 h3+h13: 4270 h4: 4803	h1: 2890 h2: 150 h3+h13: 4770 h4: 5303
Model							
L14 AS	<input type="radio"/>	<input type="radio"/>	<input type="radio"/>	<input type="radio"/>	<input type="radio"/>	<input type="radio"/>	<input type="radio"/>
L14 AS AP	<input type="radio"/>	<input type="radio"/>	<input type="radio"/>	<input type="radio"/>	<input type="radio"/>	<input type="radio"/>	<input type="radio"/>

Lift	h3: 1844	h3: 2344	h3: 2844	h3: 3244	h3: 3744	h3: 4144	h3: 4644
Height measurements	h1: 1490 h2: 150 h3+h13: 1890 h4: 2423	h1: 1740 h2: 150 h3+h13: 2390 h4: 2923	h1: 1990 h2: 150 h3+h13: 2890 h4: 3423	h1: 2190 h2: 150 h3+h13: 3290 h4: 3823	h1: 2440 h2: 150 h3+h13: 3790 h4: 4323	h1: 2640 h2: 150 h3+h13: 4190 h4: 4723	h1: 2890 h2: 150 h3+h13: 4690 h4: 5223
Model							
L16 AS	<input type="radio"/>	<input type="radio"/>	<input type="radio"/>	<input type="radio"/>	<input type="radio"/>	<input type="radio"/>	<input type="radio"/>
L16 AS AP	<input type="radio"/>	<input type="radio"/>	<input type="radio"/>	<input type="radio"/>	<input type="radio"/>	<input type="radio"/>	<input type="radio"/>

DUPLEX MAST (in mm)

Lift	h3: 1924	h3: 2424	h3: 2924	h3: 3324	h3: 3824
Height measurements	h1: 1415 h2: 879 h3+h13: 1970 h4: 2503	h1: 1665 h2: 1379 h3+h13: 2470 h4: 3003	h1: 1915 h2: 1879 h3+h13: 2970 h4: 3503	h1: 2115 h2: 2279 h3+h13: 3370 h4: 3903	h1: 2365 h2: 2779 h3+h13: 3870 h4: 4403
Model					
L14 AS	<input type="radio"/>	<input type="radio"/>	<input type="radio"/>	<input type="radio"/>	<input type="radio"/>
L14 AS AP	<input type="radio"/>	<input type="radio"/>	<input type="radio"/>	<input type="radio"/>	<input type="radio"/>

Lift	h3: 1844	h3: 2344	h3: 2844	h3: 3244	h3: 3744
Height measurements	h1: 1415 h2: 879 h3+h13: 1890 h4: 2423	h1: 1665 h2: 1129 h3+h13: 2390 h4: 2923	h1: 1915 h2: 1379 h3+h13: 2890 h4: 3423	h1: 2115 h2: 1579 h3+h13: 3290 h4: 3823	h1: 2365 h2: 1829 h3+h13: 3790 h4: 4323
Model					
L16 AS	<input type="radio"/>	<input type="radio"/>	<input type="radio"/>	<input type="radio"/>	<input type="radio"/>
L16 AS AP	<input type="radio"/>	<input type="radio"/>	<input type="radio"/>	<input type="radio"/>	<input type="radio"/>

TRIPLEX MAST (in mm)

Lift	h3: 4266	h3: 4716	h3: 5316
Height measurements	h1: 1915 h2: 1379 h3+h13: 4312 h4: 4845	h1: 2065 h2: 1529 h3+h13: 4762 h4: 5295	h1: 2265 h2: 1729 h3+h13: 5362 h4: 5895
Model			
L14 AS	<input type="radio"/>	<input type="radio"/>	<input type="radio"/>
L14 AS AP	<input type="radio"/>	<input type="radio"/>	<input type="radio"/>
L16 AS	<input type="radio"/>	<input type="radio"/>	<input type="radio"/>
L16 AS AP	<input type="radio"/>	<input type="radio"/>	<input type="radio"/>

Optional equipment

h1: Height of mast, lowered

h2: Free lift

h3: Lift

h4: Height of mast, extended

h3+h13: Lift + Fork height

STANDARD AND OPTIONAL EQUIPMENT

Model/Equipment		L14 AS	L16 AS	L14 AS AP	L16 AS AP
Safety	Long tiller with low mounting point	●	●	—	—
	Folding side guards	—	—	●	●
	Automatic speed reduction when cornering	●	●	●	●
	Key switch	●	●	●	●
	Log in PIN code	○	○	○	○
Service	CAN bus architecture	●	●	●	●
Digitalisation	Linde Connected Solutions:	○	○	○	○
	ac: access control (PIN or RFID Dual),	○	○	○	○
	an: usage analysis and dt: crash detection	○	○	○	○
	Data transfer online	○	○	○	○
	Data transfer WIFI	○	○	○	○
	Bluetooth USB Stick	○	○	○	○
Operation/ Load Handling	Ultra fast lifting	○	○	○	○
	Creep speed control	●	●	●	●
	Proportional speed control	○	○	—	—
	Linde Safety lift function	●	●	●	●
	Load backrest 1000 mm	○	○	○	○
Enviro- ment	Cold store -35 °C (in/out)	○	○	○	○
Workplace	Fully suspended platform	—	—	●	●
	Multifunction coloured display hour meter, maintenance indication, battery discharge indicator and internal fault code indication	●	●	●	●
	Spacious storage compartments	●	●	●	●
Mast	Standard	○	○	○	○
	Simplex	○	○	○	○
	Duplex	○	○	○	○
	Triplex	○	○	○	○
	Mast protection: polycarbonate	●	●	●	●
	Mast protection: mesh	○	○	○	○
Attachment/ Forks	Fork carriage: 800 mm ISO2B	●	●	●	●
	Fork carriage: 1000 mm ISO2B	○	○	○	○
	Fork carriage: 1100 mm ISO2B	○	○	○	○
	Forks 800/80 × 40 mm	○	○	○	○
	Forks 1000/80 × 40 mm	○	○	○	○
	Forks 1100/80 × 40 mm	○	○	○	○
	Adjustable straddle legs (860, 1060, 1260 mm)	●	●	●	●
Axles and Tyres	Drive wheels polyurethane	●	●	●	●
	Drive wheels cushion rubber, non marking, wet grip	○	○	○	○
	Single load wheels polyurethane no gresseable	●	—	—	—
	Tandem load wheels no gresseable	○	●	●	●
	Single castor wheels	●	●	—	—
	Double castor wheels	—	—	●	●
	Double castor wheels (L14 AS, L16 AS)	○	○	—	—
Drive and Brake-system	OptiLift® system	●	●	●	●
	1.5 kW AC (maintenance free)	●	●	—	—
	3 kW AC (maintenance free)	—	—	●	●
	Electromagnetic braking system	●	●	●	●
	Battery compartment, vertical change 3 PzS (345 Ah/375 Ah)	●	●	●	●

● Standard equipment

○ Optional equipment

— Not available

CHARACTERISTICS



Low mounted tiller and folding side guards ensure optimum safety



All controls on ergonomic tiller can be easily operated by either hand



Fitted with ISO standard forks and adjustable straddle legs the truck can handle all type of pallets



All truck components are easily and freely accessible

Safety

- Driver protection thanks to low chassis, rounded corners and internal wheels
- Folding side guards protect the operator
- Accident protection thanks to electro-hydraulic, load-dependent braking system

Ergonomics

- One-handed operation of all driving and lifting functions with tiller head for quick, easy transportation
- Spacious storage compartment enables the storage of important work equipment
- Effortless folding up and down of the platform
- 6 km/h loaded and unloaded on pedestrian version and 8 km/h loaded and 10 km/h unloaded on AP version

Handling

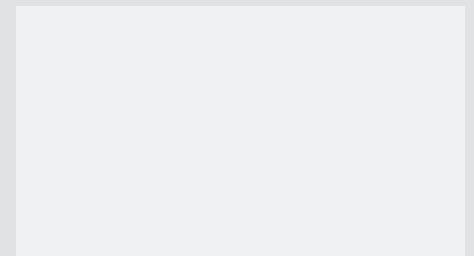
- ISO forks and adjustable straddle legs for handling closed pallets and load carriers with different widths
- Linde OptiLift® mast control for sensitive lifting and lowering
- 2.3 kW AC engine for fast transportation (10 km/h) of loads of up to 1600 kg

Service

- Maintenance-free 2.3 kW three-phase motors for high availability
- CAN bus system for quick and easy diagnosis via notebook
- Easy access to all components
- Multi-functional display provides an overview of all the truck information information

Subject to modification in the interest of progress. Illustrations and technical details could include options and not binding for actual constructions. All dimensions subject to usual tolerances.

Presented by:



Linde Material Handling GmbH
Carl-von-Linde-Platz | 63743 Aschaffenburg | Germany
Phone + 49 6021 99 0 | Fax + 49 6021 99 1570
www.linde-mh.com | info@linde-mh.com

Printed in Germany | 867.e.0,5.0221.IndA.se